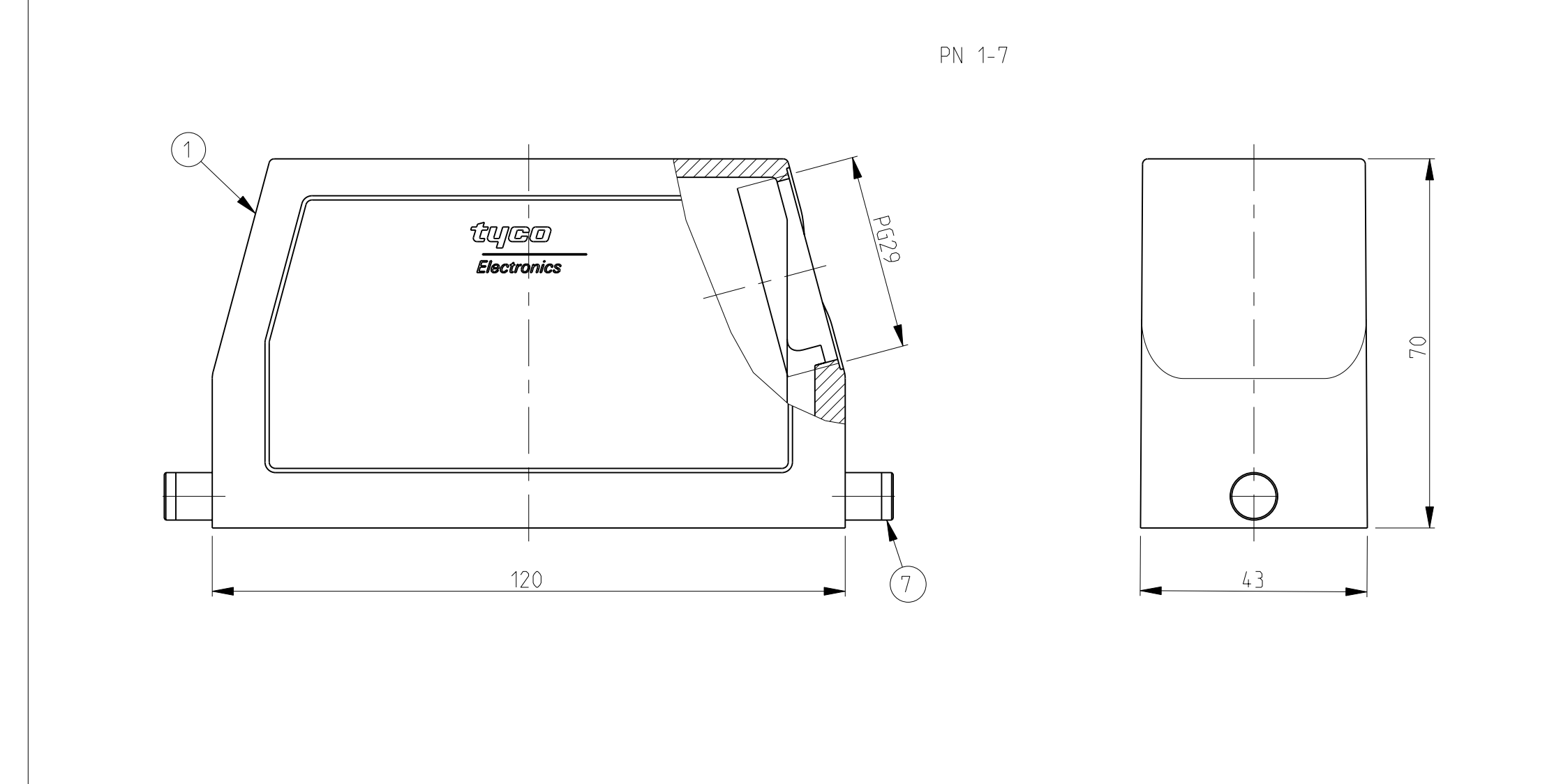
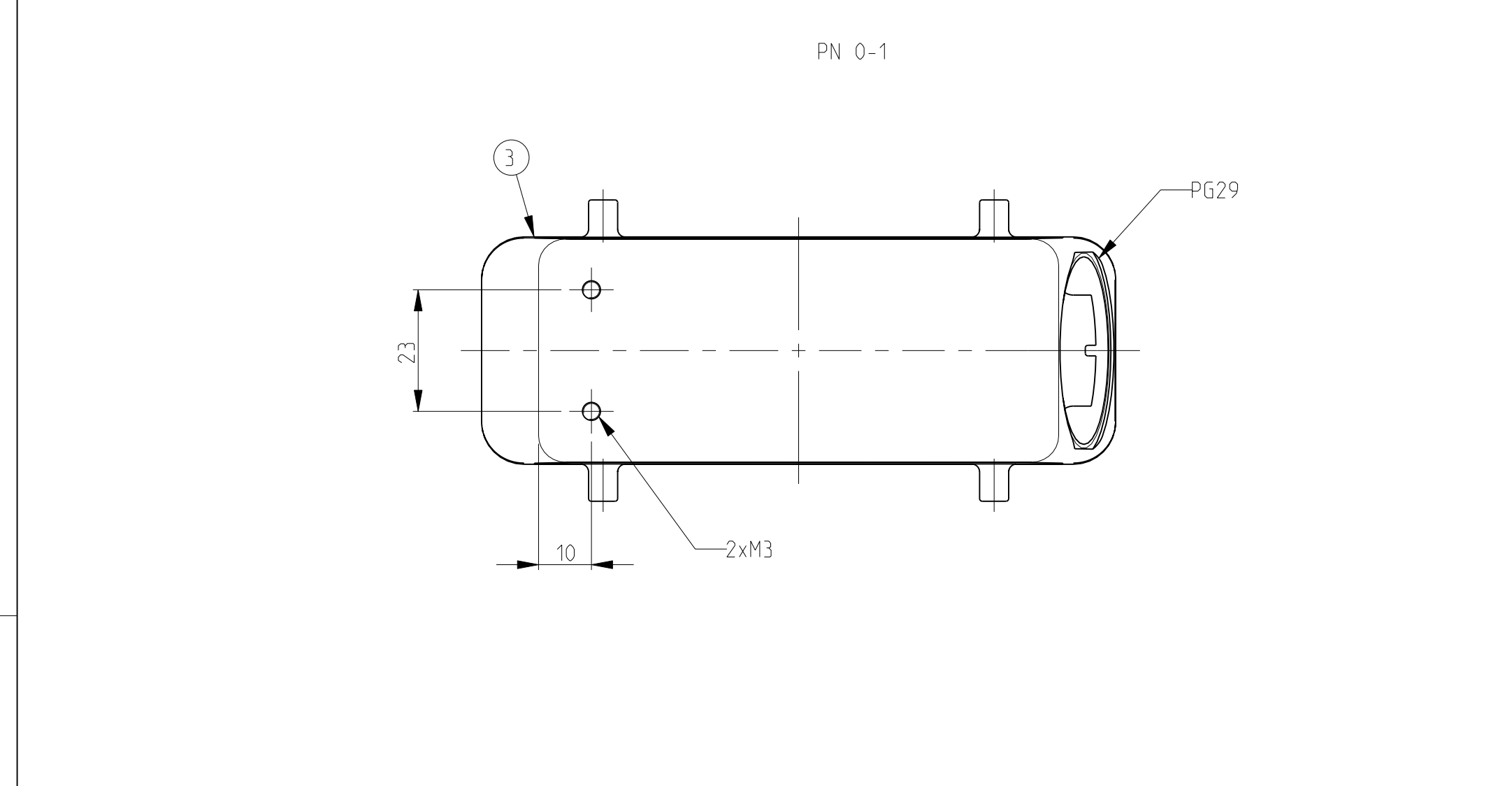
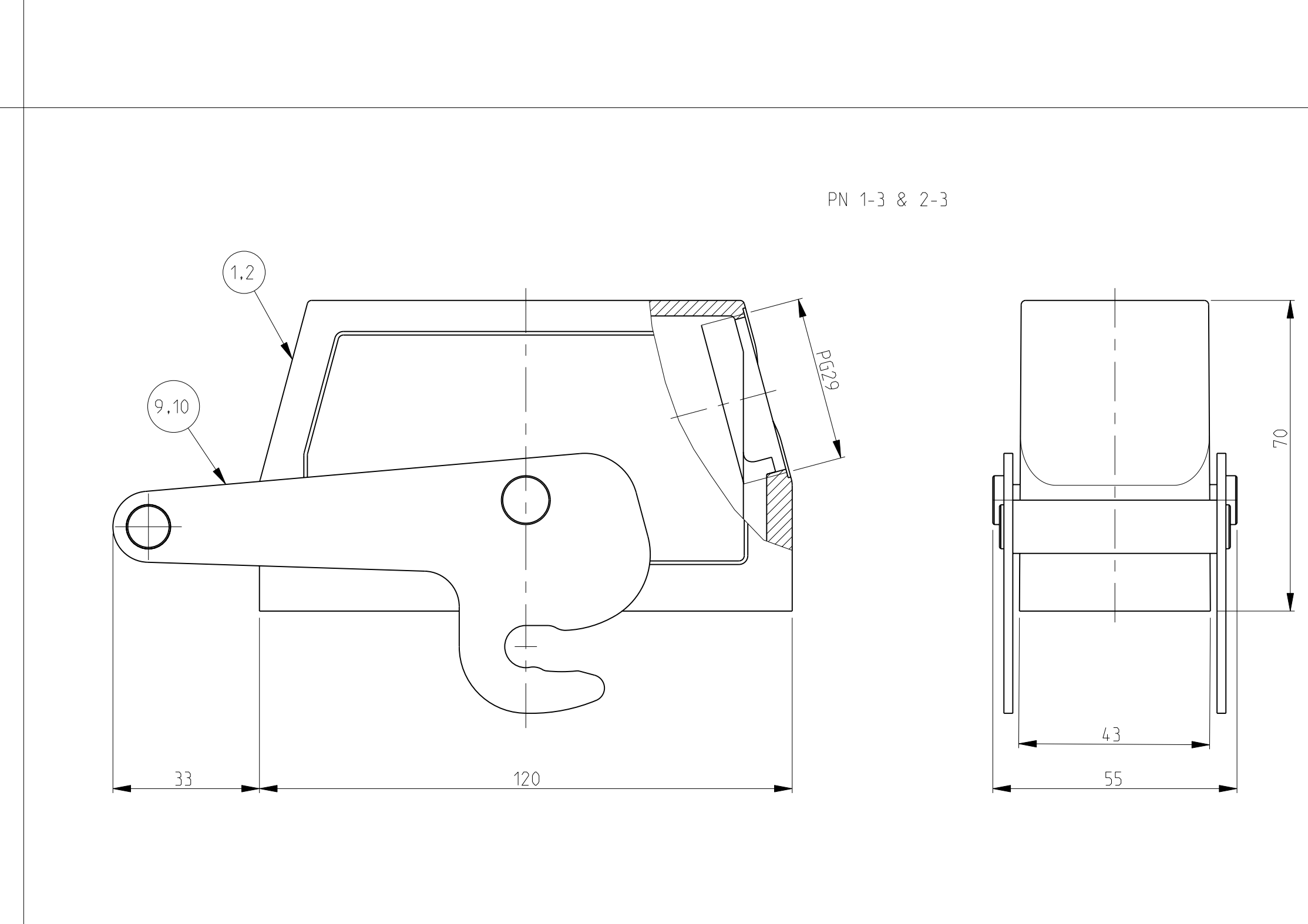
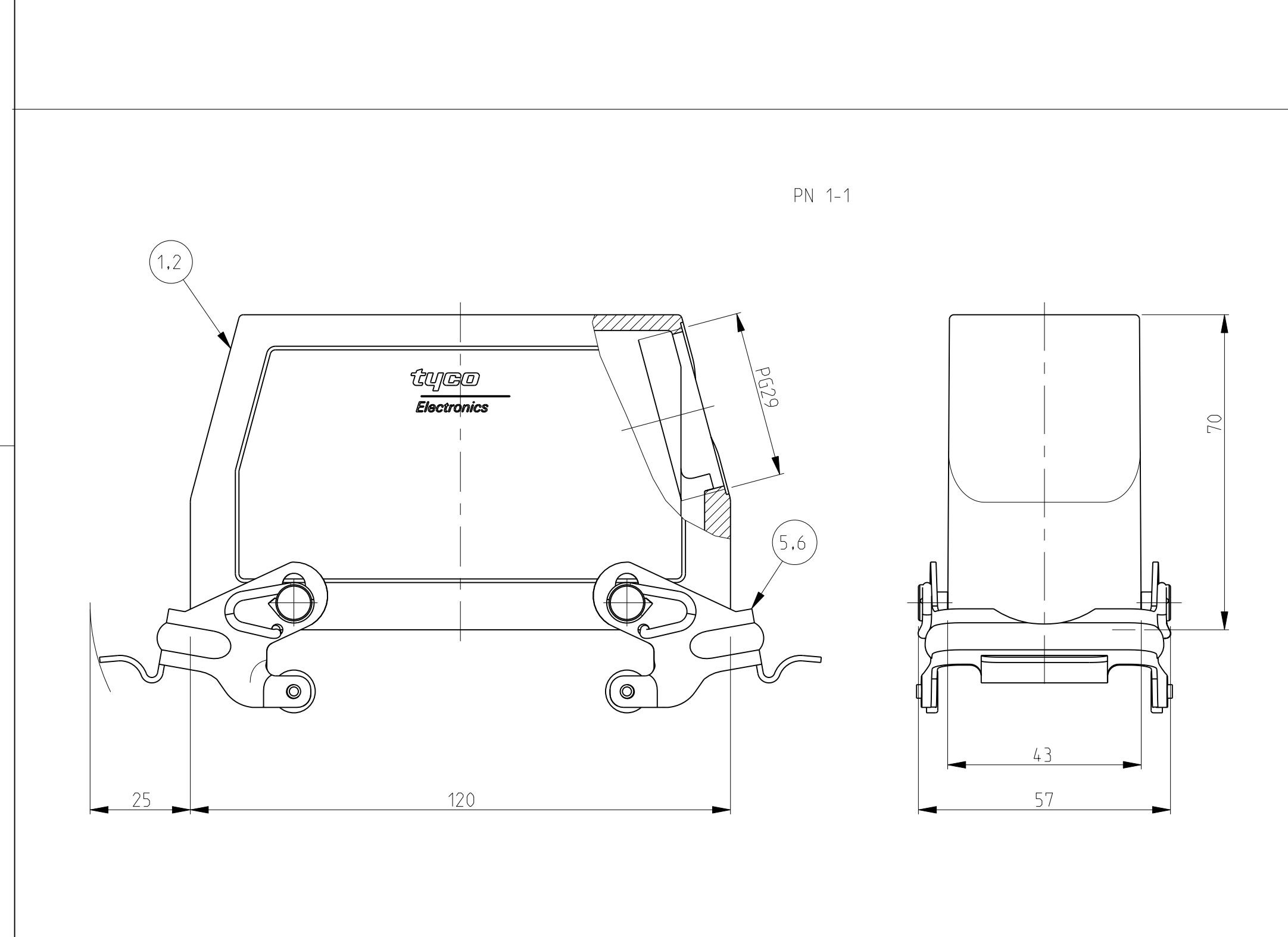
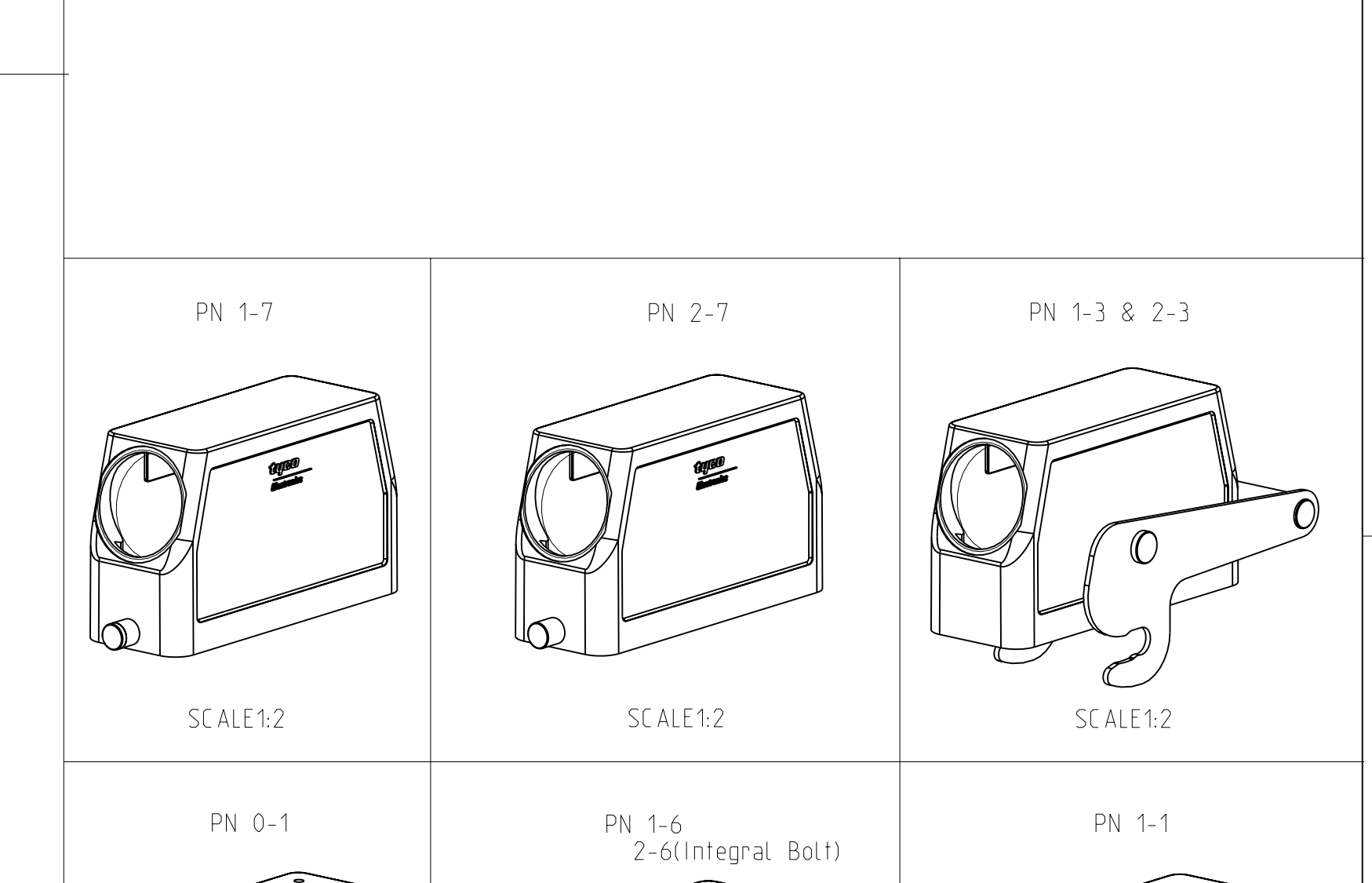
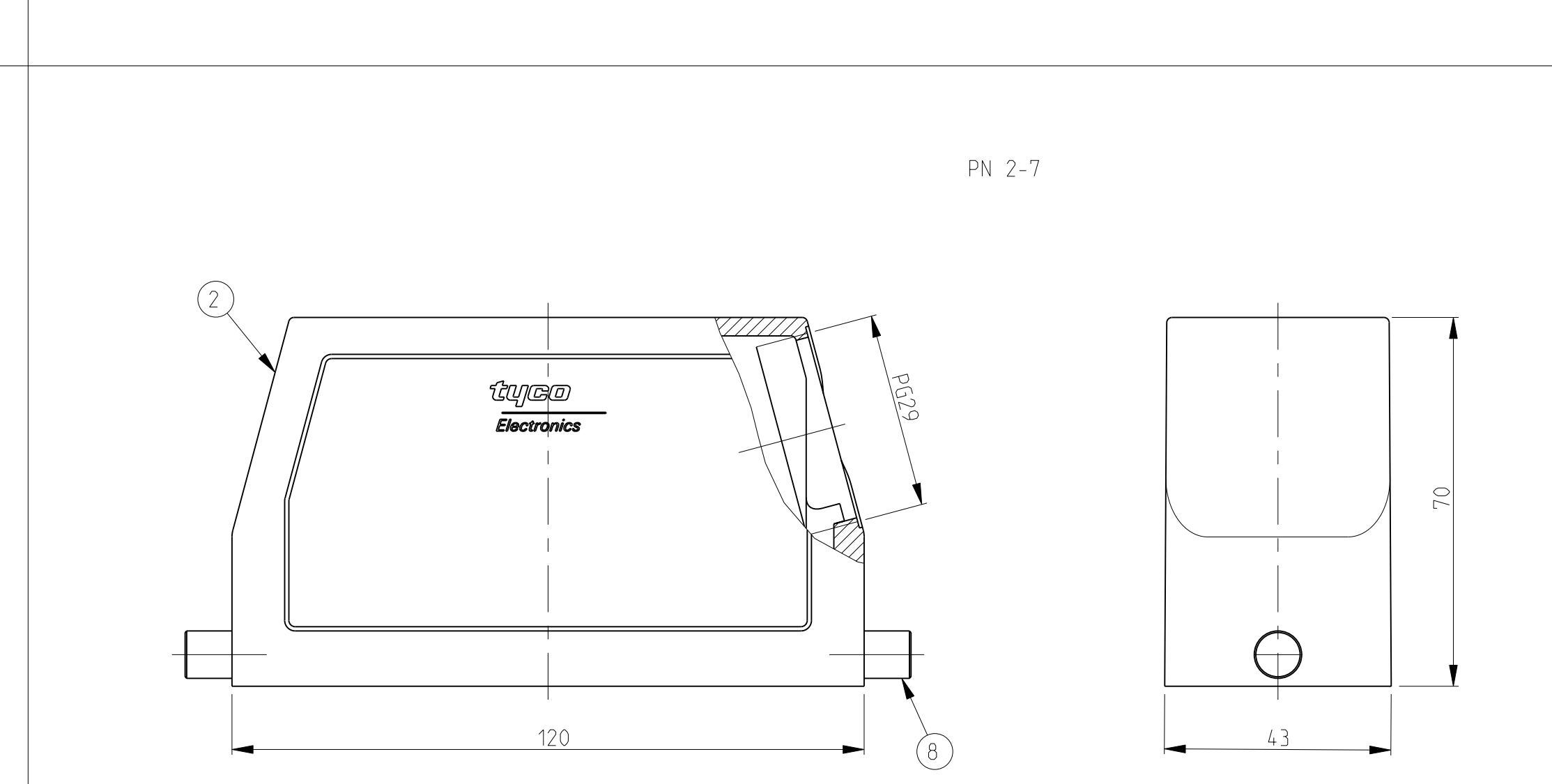
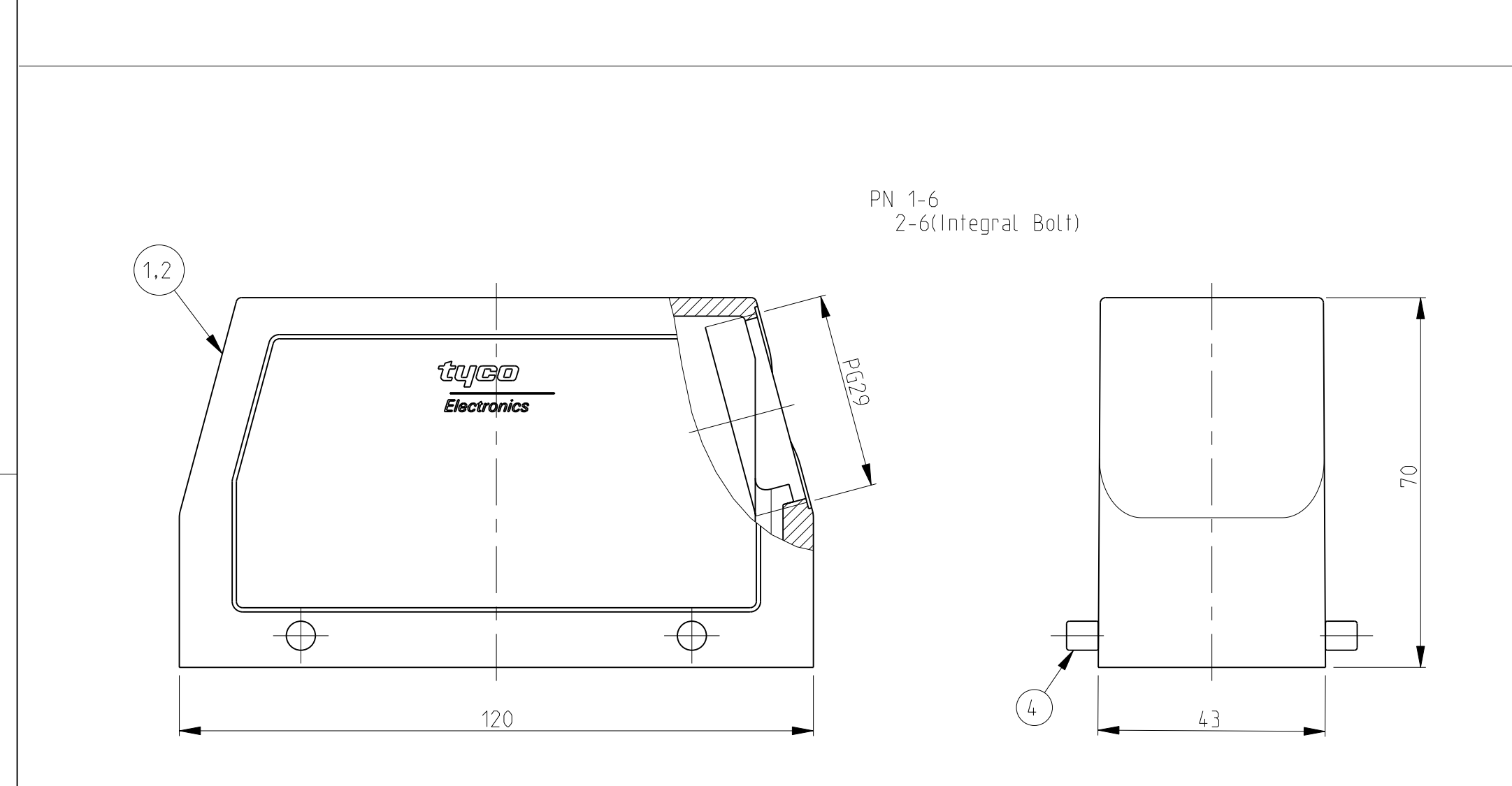


LOC	DIST	REV	DATE	BY	APPV
A1	-	A2	22.08.07	SK	TS



NOTES:

- Material:Housing:Aluminium Diecasting Alloy
- Surface: Powder varnish grey  
- Aluminium oxide+  
Varnish black
- Varnish on the inside not necessary
- Packaging  
Quantity 5 Pieces in a box



QTY	DESCRIPTION	MATERIAL	SURFACE	COLOR	ITEM NO	REMARKS
1	ZB-Central clip	Stainless Steel	Blank	-	10	
1	ZB-Central clip	Steel	Zinc Plated	Blue	9	
2	LB-Clip bolt	Stainless Steel	Blank	-	8	
2	LB-Clip bolt	Steel	Zinc Plated	Blue	7	
2	VS-Side clip	Stainless Steel	Blank	-	6	
2	VS-Side clip	Steel	Zinc Plated	Blue	5	
4	VS-Clip bolt	Stainless Steel	Blank	-	4	
1	HB Hood	Aluminium	-	Grey	3	Name plate
1	HB-K Hood	Aluminium	Aluminium Oxide	Black	2	
1	HB Hood	Aluminium	-	Grey	1	

ORDERING TEXT  
 HB-24.STS-1.29.G  
 HB-K.24.STS-1.29.G  
 HB-24.STS-1.29.G  
 HB-24.STS-VS-1.29.G  
 HB-K.24.STS-VS-1.29.G  
 HB-24.STS-GR-1.29.G  
 HB-K.24.STS-GR-1.29.G  
 HB-Z.24.STS-ZB-1.29.G  
 HB-K/Z.24.STS-ZB-1.29.G